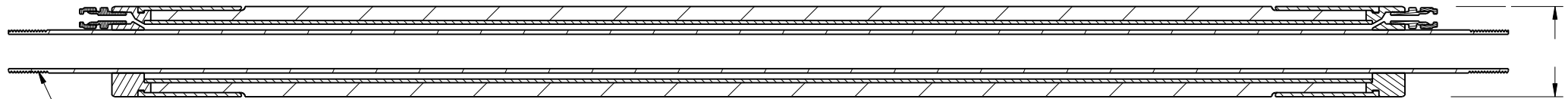


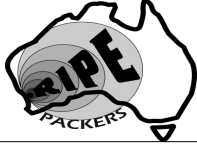

# SINGLE PACKER - STAND ALONE UNIT FOR SINGLE PACKER GROUTING



BSP THREAD

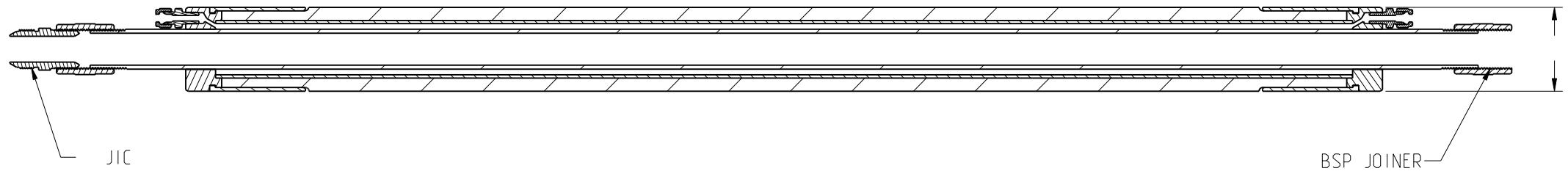


SCALE 0.15

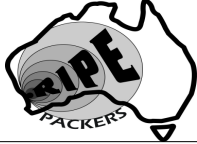
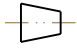

CONTROLLED DOCUMENT CONFIDENTIAL COPY RIGHT		A	08-FEB-18	---		
		REV	DATE	MODIFICATIONS		
	JOB NO:	TITLE <b>SINGLE PACKER</b>				
	TOLERANCE	DRG NO:	DRAWN	RKO	08/02/18	
<b>REPLACEMENT INFLATABLE PACKERS &amp; ELEMENTS PTY LTD</b> 29 WHEELER STREET BELMONT, WA 6104 PH: +61 (08) 9475 0700 Fax: +61 (08) 9475 0770 Mob: 0400346687 packers@ripe-packers.com www.ripe-packers.com	X : ±0.2 X.X : ±0.1 X.XX : ±0.05	MATERIAL:	SCALE: 0.23	CHECKED	JOHN	
	SIZE: A4	THIS DOCUMENT IS THE PROPERTY OF RIPE PACKERS AND MUST NOT BE REPRODUCED OR COMMUNICATED WITHOUT PERMISSION			APPROVED	JOHN
DEBURR AND BREAK SHARP EDGES						REVISION A

# SINGLE PACKERS CAN EFFORTLESSLY BE CONVERTED TO A STRADDLE CONFIGURATION WITH ADDITIONAL FITTINGS

BELOW SHOWS FITTINGS ADDED TO THE TOP PACKER IN THE STRADDLE CONFIGURATION

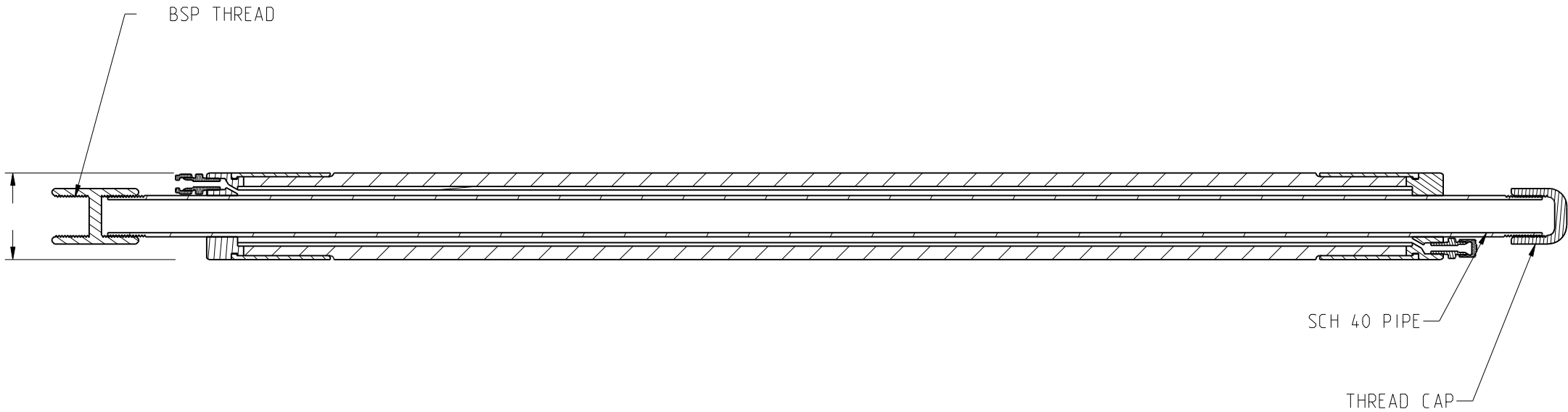


SCALE 0.14

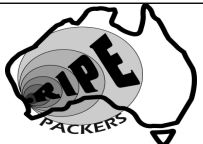
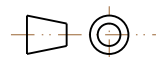
CONTROLLED DOCUMENT CONFIDENTIAL COPY RIGHT		A	08-FEB-18	---		
		REV	DATE	MODIFICATIONS		
	JOB NO:	TITLE	SINGLE PACKER COMPATIBLE WITH STRADDLE (TOP)			
	TOLERANCE		DRG NO:	DRAWN	RKO	08/02/18
<b>REPLACEMENT INFLATABLE PACKERS &amp; ELEMENTS PTY LTD</b> 29 WHEELER STREET BELMONT, WA 6104 PH: +61 (08) 9475 0700 Fax: +61 (08) 9475 0770 Mob: 0400346687 packers@ripe-packers.com www.ripe-packers.com	X : ±0.2 X.X : ±0.1 X.XX : ±0.05	MATERIAL:	SCALE: 0.22	CHECKED	JOHN	
	SIZE: A4 DEBURR AND BREAK SHARP EDGES	THIS DOCUMENT IS THE PROPERTY OF RIPE PACKERS AND MUST NOT BE REPRODUCED OR COMMUNICATED WITHOUT PERMISSION		APPROVED	JOHN	
						REVISION A

# SINGLE PACKERS CAN EFFORTLESSLY BE CONVERTED TO A STRADDLE CONFIGURATION WITH ADDITIONAL FITTINGS

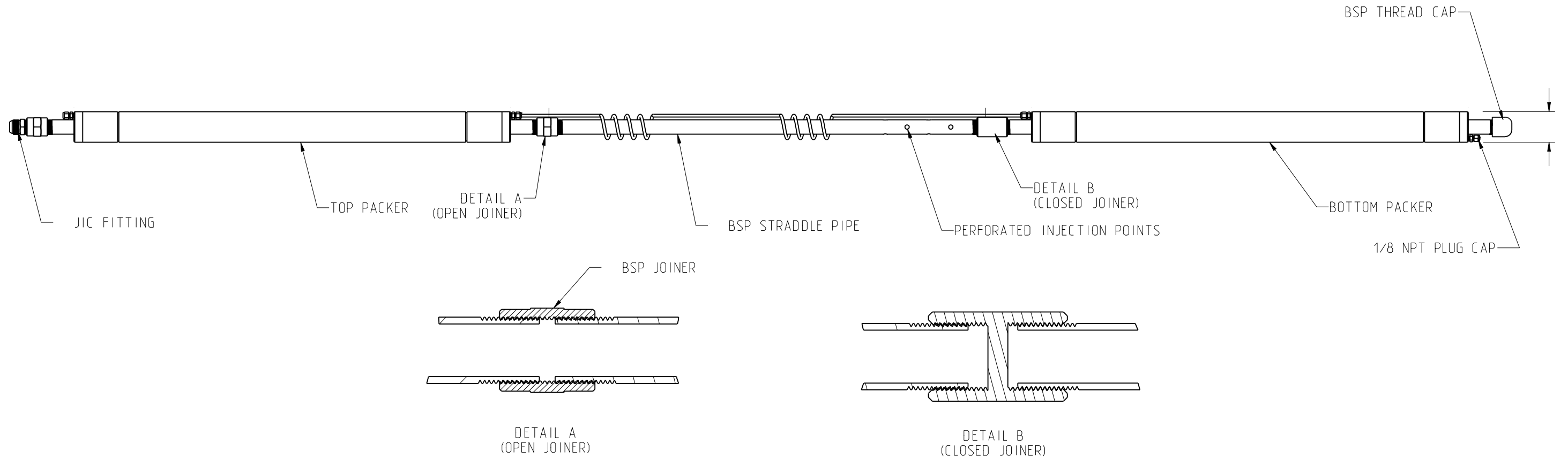
BELOW SHOWS FITTINGS ADDED TO THE BOTTOM PACKER IN THE STRADDLE CONFIGURATION




SCALE 0.15

CONTROLLED DOCUMENT CONFIDENTIAL COPY RIGHT		A	07-FEB-18	---		
		REV	DATE	MODIFICATIONS		
 <b>REPLACEMENT INFLATABLE PACKERS &amp; ELEMENTS PTY LTD</b> 29 WHEELER STREET BELMONT, WA 6104 PH: +61 (08) 9475 0700 Fax: +61 (08) 9475 0770 Mob: 0400346687 packers@ripe-packers.com www.ripe-packers.com	JOB NO:	TITLE <b>SINGLE PACKER COMPATIBLE WITH STRADDLE (BOTTOM)</b>				
	TOLERANCE	DRG NO:	DRAWN	RKO	07/02/18	
X : ±0.2 X.X : ±0.1 X.XX : ±0.05	MATERIAL:	SCALE: 0.23	CHECKED	JOHN		
SIZE: A4	THIS DOCUMENT IS THE PROPERTY OF RIPE PACKERS AND MUST NOT BE REPRODUCED OR COMMUNICATED WITHOUT PERMISSION		APPROVED	JOHN		
DEBURR AND BREAK SHARP EDGES					REVISION A	

# STRADDLE CONFIGURATION COMPLETE ASSEMBLY



SCALE 0.1

CONTROLLED DOCUMENT CONFIDENTIAL COPY RIGHT		A	08-FEB-18	---		
		REV	DATE	MODIFICATIONS		
 <b>REPLACEMENT INFLATABLE PACKERS &amp; ELEMENTS PTY LTD</b> 29 WHEELER STREET BELMONT, WA 6104 PH: +61 (08) 9475 0700 Fax: +61 (08) 9475 0770 Mob: 0400346687 packers@ripe-packers.com www.ripe-packers.com		JOB NO:	TITLE <b>STRADDLE PACKER</b>			
		TOLERANCE X : ±0.2 X.X : ±0.1 X.XX : ±0.05	DRG NO:	SCALE: 0.11	DRAWN	RKO
		SIZE: A3	MATERIAL:		APPROVED	JOHN
		DEBURR AND BREAK SHARP EDGES	THIS DOCUMENT IS THE PROPERTY OF RIPE PACKERS AND MUST NOT BE REPRODUCED OR COMMUNICATED WITHOUT PERMISSION			REVISION A